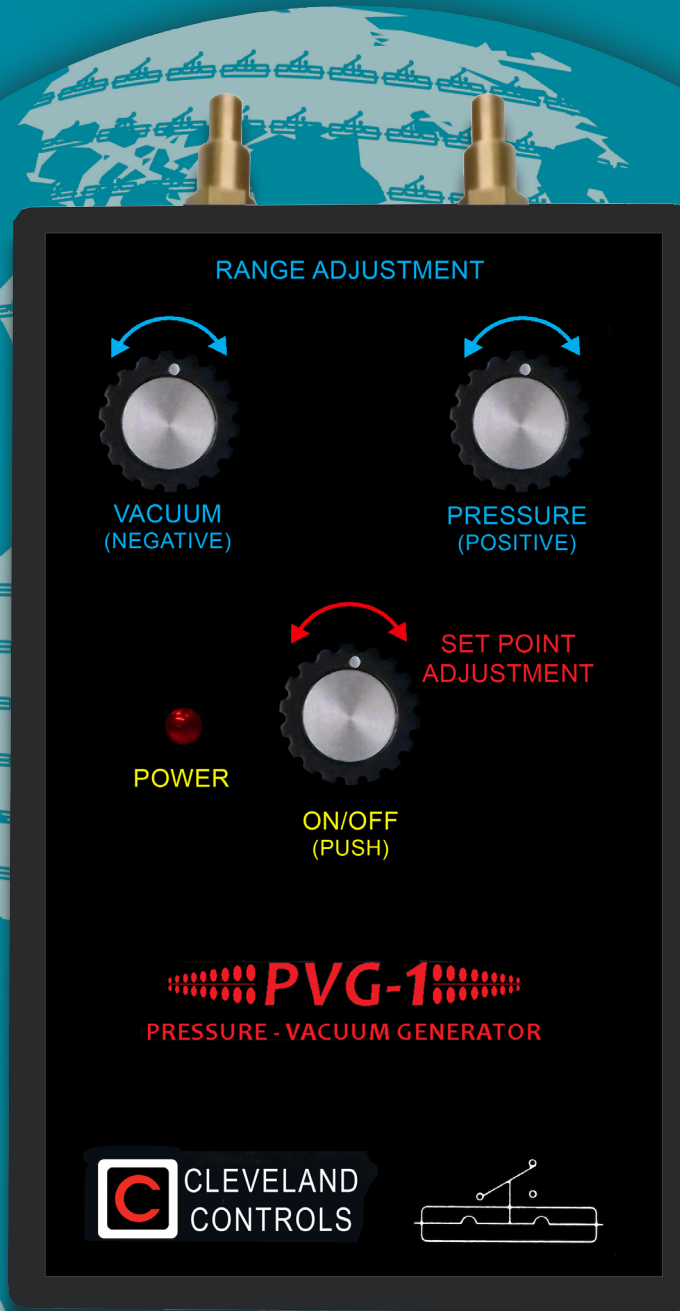




Cleveland Controls
Division of UniControl Inc.



MODEL PVG-1
PRESSURE/VACUUM GENERATOR
(PATENT PENDING)

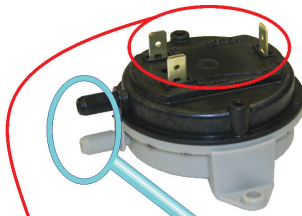
Testing the Circuit



P/N 27636
Terminal Connection
Harness



**Cleveland Controls
Series 6650**
Digital Manometer/Multi Meter
or equivalent.



**Cleveland Controls
Series NS2™**
Differential Pressure
Air Flow Sensing Switch

Connecting to the Air Source



P/N 25781
Flexible, Transparent
PVC Tubing



**Cleveland Controls
Series PVG-1***
Pressure/Vacuum Generator
or equivalent.
(*shown in optional protective case with stand.)

INTRODUCING MODEL PVG-1 PRESSURE/VACUUM GENERATOR

The PVG-1 is a compact pressure or vacuum generator that provides a constant air source ideal for field calibrating differential pressure air flow sensing switches. Set up of the **PVG-1** is quick and easy, with separate coarse adjustment valves for initial pressure or vacuum range selection, a fine-tune output adjustment potentiometer and a pushbutton on/off.

The PVG-1 has an output range of ± 0.10 to ± 12.0 " w.c. It requires (3) standard AA size batteries, which provide a minimum operating life of ten (10) hours. An optional protective cover can be purchased separately. Use the **PVG-1** in conjunction with a manometer and multimeter, which provide indication of the pressure or vacuum level, and the status of the electrical contacts internal to the air switch during calibration. Note: the **Cleveland Controls Series 6650 Digital Manometer** (shown above) includes an integral multimeter.

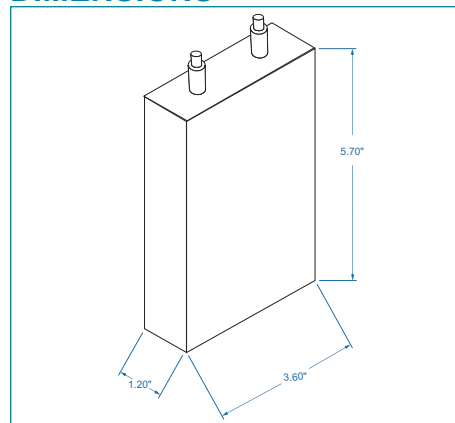
EXCELLENCE IN AIR FLOW SENSING

The **Cleveland Controls Model PVG-1 Pressure/Vacuum Generator** is a superb tool for convenient field calibration

and testing of positive, negative, and differential air pressure switches. It is ideal for use with the **Cleveland Controls Model 6650 Digital Manometer**. Both are long-lived, easy-to-use instruments that reduce maintenance labor and expense. Together they provide all the functions necessary for measuring or balancing low pressure air systems. For information on the **Model 6650 Digital Manometer**, download bulletin **LTDM6650-01** from our website: www.clevelandcontrols.com.



DIMENSIONS



SPECIFICATIONS

MODEL PVG-1 PRESSURE/ VACUUM GENERATOR

(PATENT PENDING)

Operating Temperature: 50 °F
to 120 °F (10 °C to 49 °C)

Power Requirement: 3 standard
AA batteries

Operating Time (Battery):
Minimum 10 hours

Dimensions:
3.6" x 5.7" x 1.2" for housing.
4.3" x 6.8" x 1.8" in op-
tional protective case.

Shipping Weight: < 1 lb.

Connectors/Ports: Integral slip-
on connectors accept 1/8"
and 1/4" ID flexible tubing
Range: ± 0.1 " w.c. to ± 12.0 " w.c.



Cleveland Controls
DIVISION OF UNICONTROL INC.
1111 Brookpark Rd
Cleveland OH 44109
Bulletin LTPVG-1.00

Tel: 216-398-0330

Fax: 216-398-8558

Email: salesvac@unicontrolinc.com

Web page: <http://www.clevelandcontrols.com>

DOWNLOAD
full-color PDF's
of our literature
at our website!